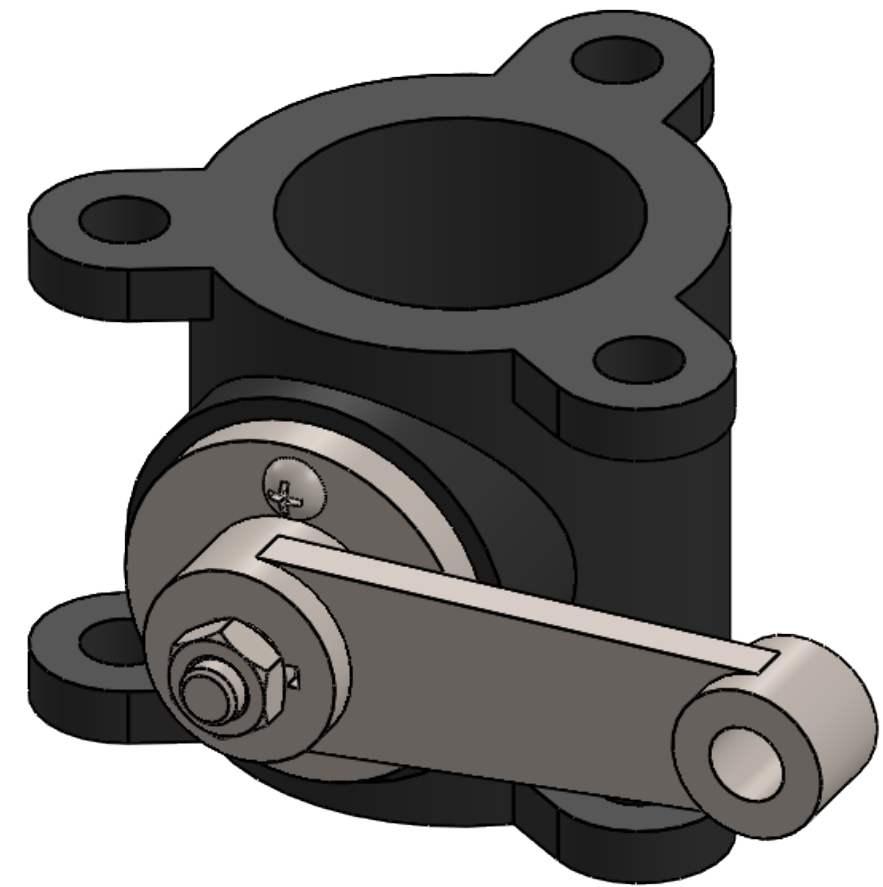
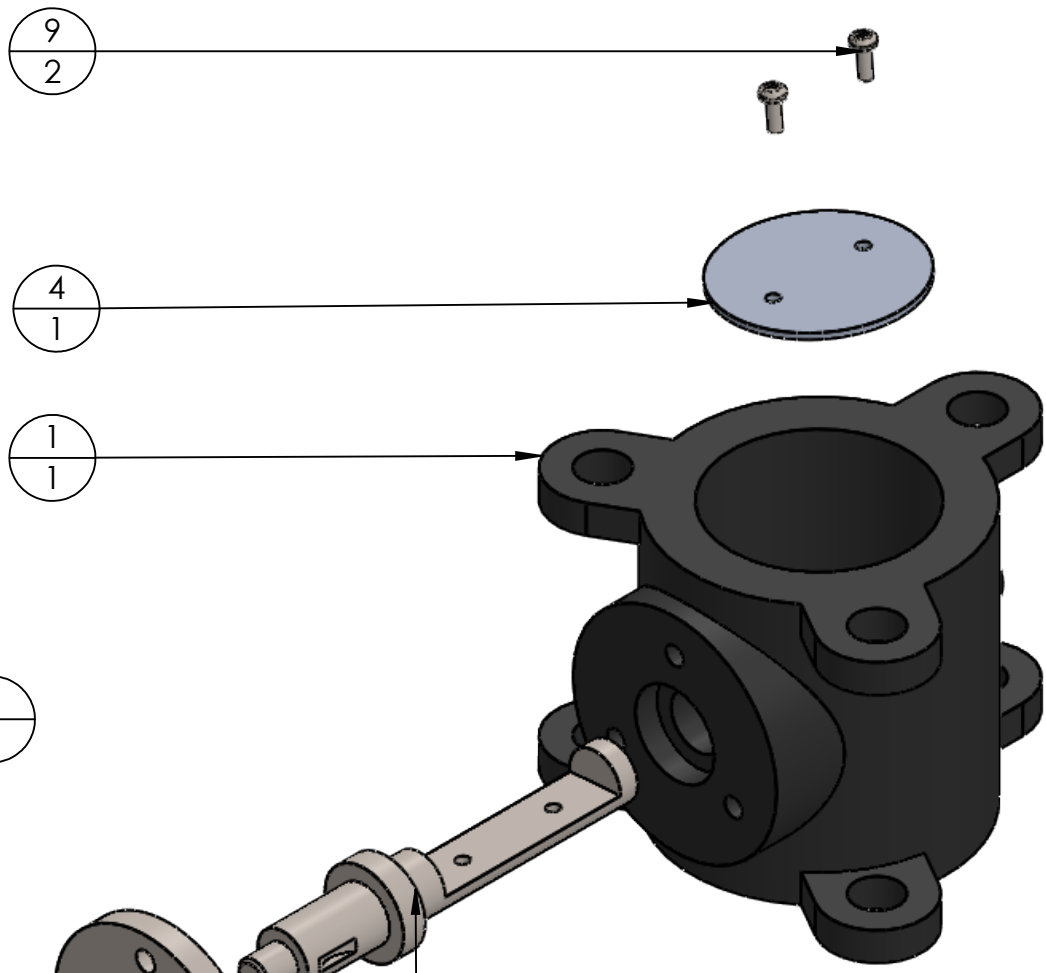


4

3

2

1



ITEM NO.	PART NUMBER	Material	QTY.
1	Body	Malleable Cast Iron	1
2	Retainer	Alloy Steel	1
3	Shaft	Alloy Steel	1
4	Elliptical Plate	6061-T6 (SS)	1
5	Woodruff Key		1
6	Arm	Alloy Steel	1
7	3/8-24 UNF		1
8	round head screw_ai		3
9	pan slot head_ai		2

7
1

6
1

2
1

3
1

5
1

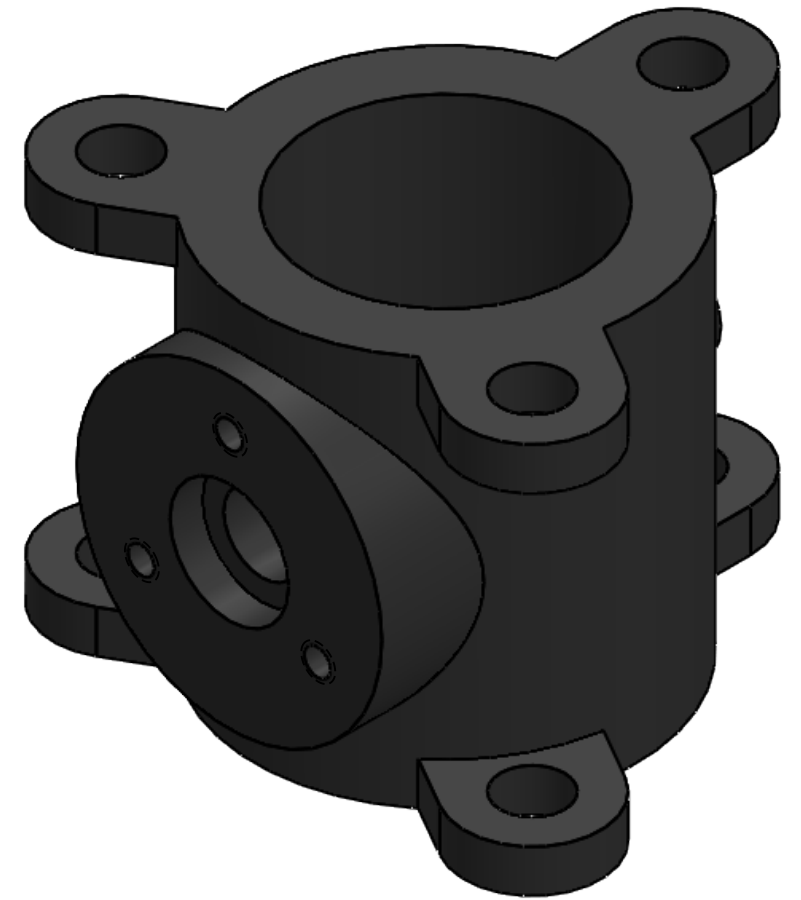
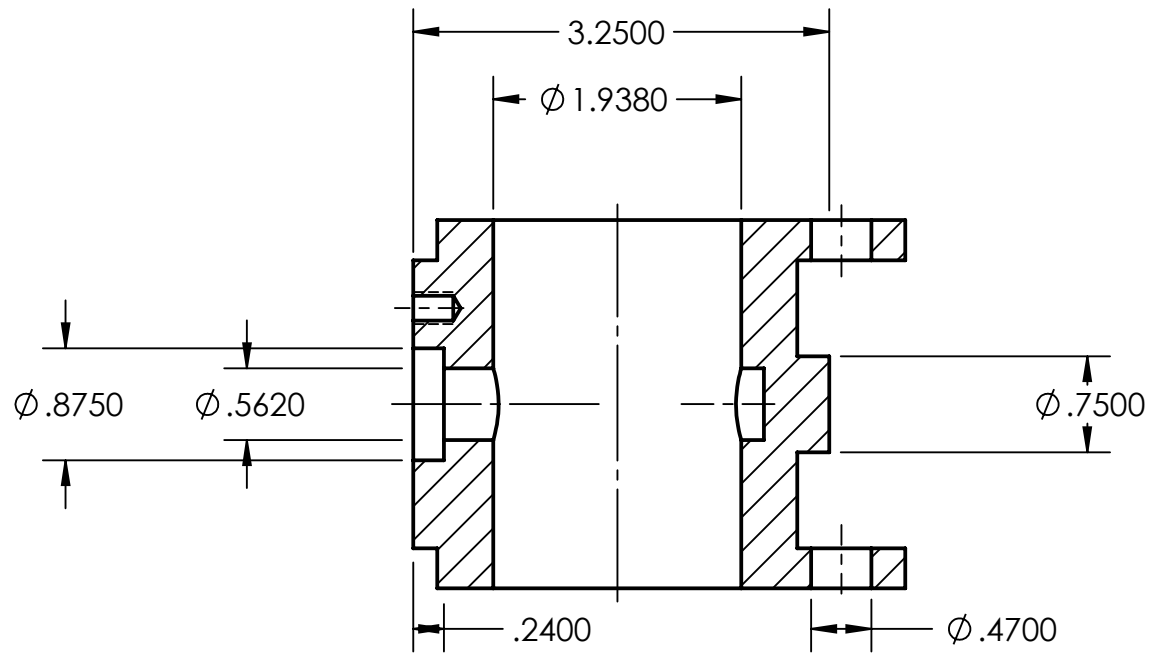
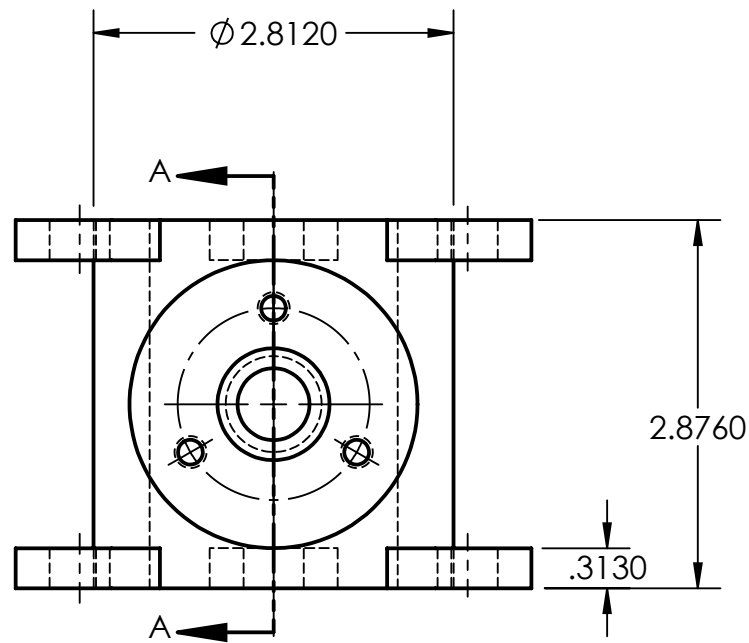
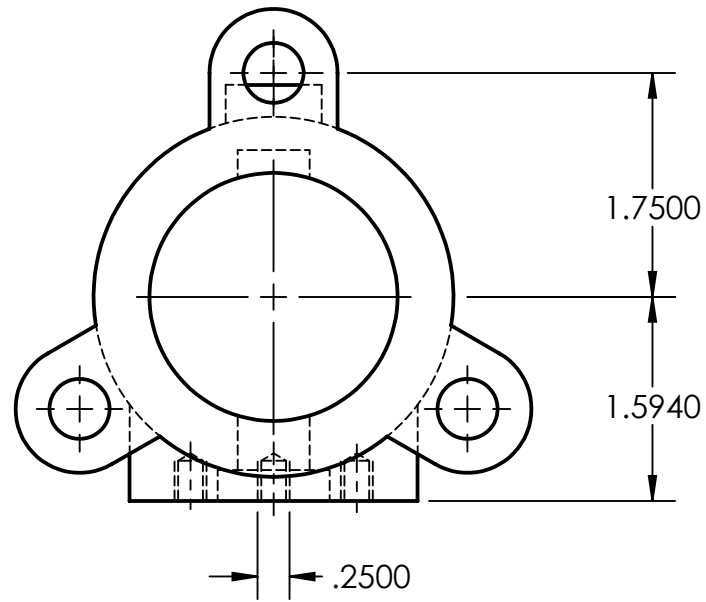
PROPRIETARY AND CONFIDENTIAL
 THE INFORMATION CONTAINED IN THIS DRAWING IS THE SOLE PROPERTY OF <INSERT COMPANY NAME HERE>. ANY REPRODUCTION IN PART OR AS A WHOLE WITHOUT THE WRITTEN PERMISSION OF <INSERT COMPANY NAME HERE> IS PROHIBITED.

UNLESS OTHERWISE SPECIFIED:		NAME	DATE	NEW JERSEY INSTITUTE OF TECH.	
DIMENSIONS ARE IN INCHES		DRAWN	BRYAN C.	TITLE: Butterfly Valve	
TOLERANCES:		CHECKED			
ANGULAR: MACH ± 0° 30'		ENG APPR.			
TWO PLACE DECIMAL ± 0.01		MFG APPR.			
THREE PLACE DECIMAL ± 0.003		Q.A.		SIZE	DWG. NO.
INTERPRET GEOMETRIC TOLERANCING PER: ASME Y14.5		COMMENTS:		B	
MATERIAL				SCALE: 1:2	WEIGHT:
FINISH				SHEET 1 OF 2	
NEXT ASSY	USED ON				
APPLICATION		DO NOT SCALE DRAWING			

3

2

1



SECTION A-A
SCALE 1 : 1.5

PROPRIETARY AND CONFIDENTIAL
THE INFORMATION CONTAINED IN THIS DRAWING IS THE SOLE PROPERTY OF <INSERT COMPANY NAME HERE>. ANY REPRODUCTION IN PART OR AS A WHOLE WITHOUT THE WRITTEN PERMISSION OF <INSERT COMPANY NAME HERE> IS PROHIBITED.

UNLESS OTHERWISE SPECIFIED:		NAME	DATE	NEW JERSEY INSTITUTE OF TECH.	
DIMENSIONS ARE IN INCHES		DRAWN	BRYAN C.	TITLE: Base	
TOLERANCES:		CHECKED			
FRACTIONAL: ±		ENG APPR.			
ANGULAR: MACH ± BEND ±		MFG APPR.			
TWO PLACE DECIMAL ±		Q.A.		SIZE DWG. NO. REV	
THREE PLACE DECIMAL ±		COMMENTS:		B Butterfly Valve	
INTERPRET GEOMETRIC TOLERANCING PER:	MATERIAL			SCALE: 1:2 WEIGHT: SHEET 2 OF 2	
FINISH					
NEXT ASSY	USED ON				
APPLICATION	DO NOT SCALE DRAWING				